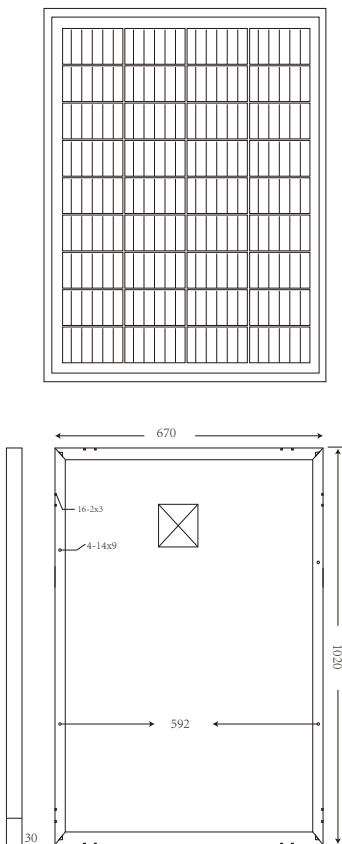


RSM-100P



GLOBAL PROFESSIONAL PV PRODUCTS INTERGRATED SOLUTIONS SUPPLIER

Dimension of PV Modules Unit: mm



ELECTRICAL DATA(STC)

Rated Power in Watts-Pmax(Wp)	100W
Open Circuit Voltage-Voc(V)	21.58V
Short Circuit Current-Isc(A)	6.04A
Maximum Power Voltage-Vmp(V)	17.40V
Maximum Power Current-Imp(A)	5.75A
Module Efficiency (%)	15.44%

STC: Irradiance 1000 W/m², Cell Temperature 25°C, Air Mass AM1.5 according to EN 60904-3.

ELECTRICAL DATA(NOCT)

Maximum Power-Pmax (Wp)	73.6W
Open Circuit Voltage-Voc (V)	20.37V
Short Circuit Current-Isc (A)	4.93A
Maximum Power Voltage-Vmp(V)	16.85V
Maximum Power Current-Imp(A)	4.37A

NOCT: Irradiance at 800 W/m², Ambient Temperature 20°C, Wind Speed 1 m/s.

MECHANICAL DATA

Solar cells	Poly-crystalline 156x91mm 4 or 5 Bus bars
Cell configuration	36 cells(3x12)
Module dimensions	1020x670x30 mm
Weight	7KGS
Front Cover	3.2mm Tempered Glass
Frame Material	Anodized Aluminum Alloy
J-BOX	IP65 or IP67, 6 Diodes
Cable	4mm ² (IEC)/12AWG(UL),900mm
Connectors	MC4 or MC4 Comparable
Standard Packaging	4pcs/suite box

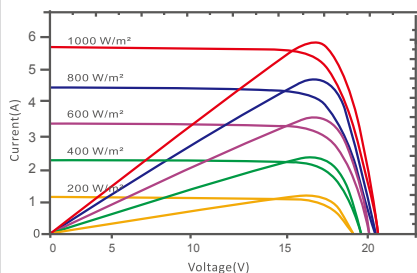
TEMPERATURE & MAXIMUM RATINGS

Nominal Operating Cell Temperature (NOCT)	45°C±2°C
Temperature Coefficient of Voc	-0.32%/°C
Temperature Coefficient of Isc	0.05%/°C
Temperature Coefficient of Pmax	-0.39%/°C
Operational Temperature	-40~+85°C
Maximum System Voltage	1000V(IEC)/600V(UL)
Max Series Fuse Rating	10A
Limiting Reverse Current	10A

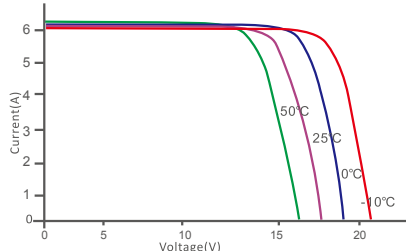
PACKAGING CONFIGURATION

	40HQ	20GP
Number of modules per container	2184pcs	1120pcs
Package	4pcs/suite box	4pcs/suite box
Package Weight	30kg/suite box	30kg/suite box
Package Number	546suite boxes	280suite boxes
Package Dimension	1220*560*170mm/suite box	1220*560*170mm/suite box

I-V characteristics at different irradiancies

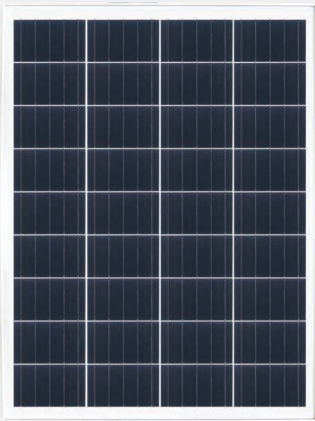


I-V characteristics at different temperature





WWW.RESUNSOLAR.COM



RSM-100P

RSM-100P is a robust solar module with 36 solar cells. These modules can be used for on-grid solar applications. Our meticulous design and production techniques ensure a high-yield, long-term performance for every module produced. Our rigorous quality control and in-house testing facilities guarantee Resun Solar's modules meet the highest quality standards possible.

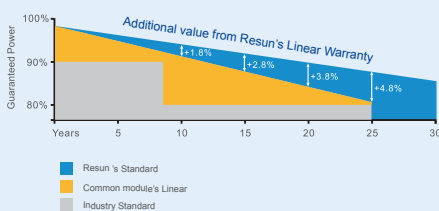
36 Cells
Poly-crystalline

100W
Power output

15.44%
The Highest Efficiency

0~+5W
Tolerance

0.5% Annual Degradation
over 30 years



LINEAR PERFORMANCE WARRANTY
12 year Product Warranty / 30 year Linear Power Warranty



High module conversion efficiency (up to 15.44%), through superior manufacturing technology



Guaranteed 0~+5W positive power output tolerance ensures high reliability



Anti-reflective, hydrophobic coating improves light absorption and reduces surface dust



Excellent performance under low light environments (mornings, evenings and cloudy days)



Suitable for harsh environments, such as coasts, deserts and lakes. Withstand high level of wind loads (2400pa) and snow loads (5400pa)

Full range of products and certification systems

ISO 9001 TUV PID-FREE CE IEC61215/61730/61701/62716

